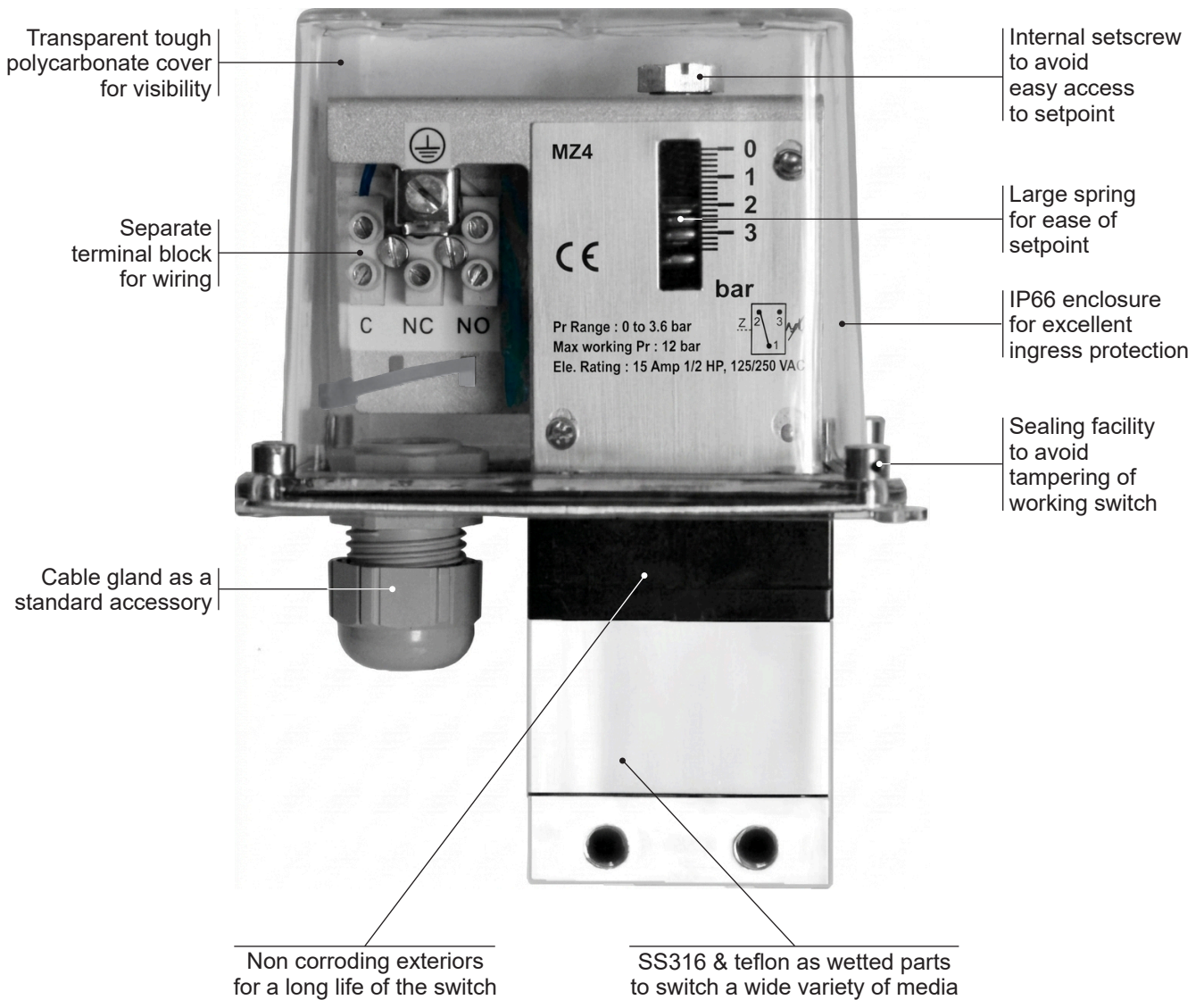




MZ

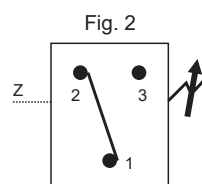
CE



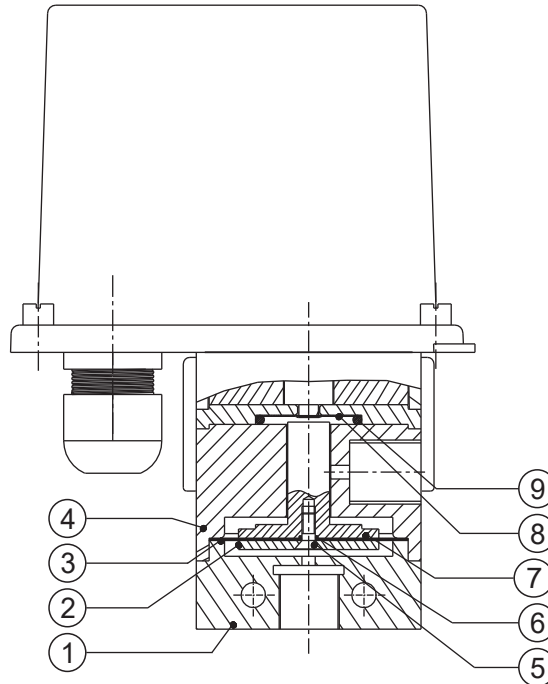
Approximate Weight : 1.400 Kg.

**Some Applications :**  
In non-hazardous areas for filters, strainers, cooling systems, etc.

**Electrical Connection :**



### PRESSURE CAPSULE DETAILS

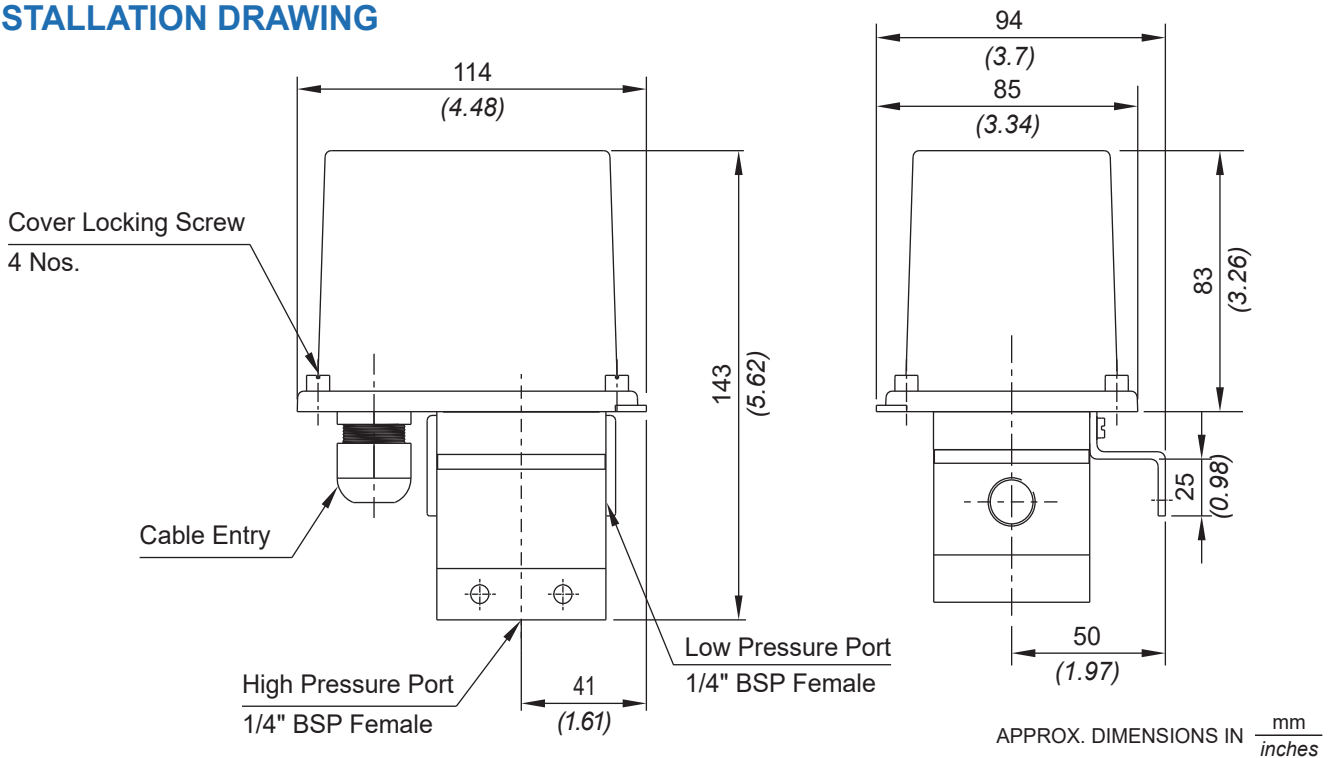


#### No. Description

1. Pressure Housing
2. HP Plunger (SS316)
3. Diaphragm
4. Disc
5. CSK Screw (SS)
6. 'O' ring (Teflon)
7. LP Plunger (SS316)
8. Sealing Diaphragm (Teflon)
9. Sealing O-Ring (Teflon)

Note : *wetted parts* are mentioned in italics.

### INSTALLATION DRAWING



**RANGE SELECTION TABLE**

Range Code	Range bar (psi)	Differential* bar (psi)	Maximum Working Pressure bar (psi)
		Approximate Maximum for "A8" microswitch	
H01	0.1 - 1.0 (1.45 - 14.50)	0.12 (1.74)	12 (174.05)
H02	0.1 - 1.5 (1.45 - 21.76)	0.20 (2.90)	12 (174.05)
H03	0.2 - 2.6 (2.90 - 37.71)	0.20 (2.90)	12 (174.05)
H04	0.2 - 3.6 (2.90 - 52.21)	0.30 (4.35)	12 (174.05)

\*Minimum differential increases with setpoint (Graphs available on request)

HOW TO ORDER PROCESS HIGH RANGE PRESSURE DIFFERENCE SWITCHES

Group 1	Group 2	Group 3	Group 4	Group 5	Group 6	Group 7	Group 8
Non standard allocation	Model	Cable Entry Size	Switch Type	Range Code (values in bar)	Microswitch Type	Pressure Port Material / Size	Diaphragm
<input type="checkbox"/> Reserved for non-standard options not covered in catalogue. Will be given by manufacturer, only after agreement of supply details with customer.	<b>MZ</b> = Process pressure switch with tough transparent polycarbonate enclosure to IP66 as per IS2147	<b>3</b> = M20 X 1.5 cable gland	<b>DF2</b> = pressure difference switch, fixed differential with scale in bar  <b>DF3</b> = pressure difference switch, fixed differential with scale in psi  <b>*DA2</b> = pressure difference switch, adjustable differential with scale in bar  <b>*DA3</b> = pressure difference switch, adjustable differential with scale in psi  *Available only with option A9 in Group 6	<b>H01</b> = (0.1 - 1.0) <b>H02</b> = (0.1 - 1.5) <b>H03</b> = (0.2 - 2.6) <b>H04</b> = (0.2 - 3.6)	<b>A8</b> = General purpose microswitch rated at 5 A; 250 VAC  <b>A7</b> = 2SPDT microswitches  <b>A9</b> = General purpose microswitch rated @ 5A, 250 VAC  * Please refer note under Range Selection Table	<b>A1</b> = Aluminium / ¼" BSP(F) <b>A2</b> = Aluminium / ¼" NPT(F) <b>S1</b> = SS316 / ¼" BSP(F) <b>S2</b> = SS316 / ¼" NPT(F)  Please refer page no. 226 & 227 for more pressure port options	<b>0</b> = Neoprene <b>1</b> = Teflon

eg. A process pressure difference switch with fixed differential having 0.1 bar to 1 bar pressure range, with 5 Amp. microswitch, SS316 pressure housing with ¼" BSP port size & neoprene diaphragm shall be specified by

Group 1	Group 2	Group 3	Group 4	Group 5	Group 6	Group 7	Group 8
<input type="checkbox"/>	MZ	3	DF2	H01	A8	S1	0

Please specify full model number to avoid ambiguity.

© 09/2025 WEISZ. All rights reserved.  
 The information included reflects the current state of development at the time of publication.  
 Due to continuous product improvement, specifications are subject to change without notice.